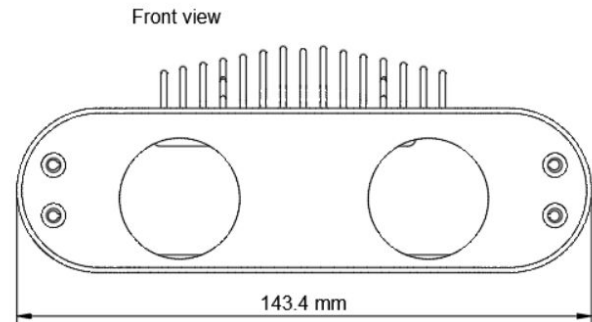
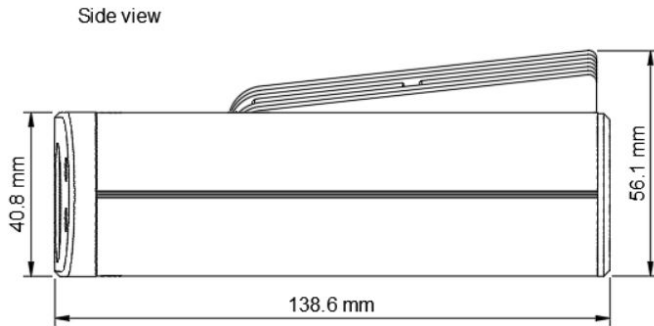


# HADRON™

## EMBEDDED VISION PLATFORM

DATASHEET - NOV 2018



### Technical Specifications

Compute	
<b>CPU</b>	2x HMP Denver cores (2MB L2 cache) 4x ARM A57 cores (2MB L2 cache)
<b>GPU</b>	NVIDIA Pascal™ Architecture 256 CUDA cores
<b>Video</b>	4K x 2K 60Hz Encode (HEVC) 4K x 2K 60Hz Decode (12-bit support)
<b>Memory</b>	8 GB LPDDR4 128-bit, 59.7 GB/s
<b>Storage</b>	32 GB eMMC microSDXC expandable

Power	
<b>Input</b>	12V DC 1.3A peak
<b>TDP</b>	15 watts peak

Vision	
<b>Sensor</b>	2x Sony™ IMX377 4K CMOS
<b>Camera Mount Support</b>	Universal 1/4" UNC thread Arca-swiss Quick Release
<b>Lens Mount Support</b>	CS (stock) D14 M12
<b>Upgrades</b>	Thermal camera (FLIR LWIR) Varioptics Liquid Lens Hardware band pass/cut filters

Connectivity	
<b>Networking</b>	Gigabit Ethernet WiFi dual-band (802.11ac) Bluetooth
<b>I/O</b>	2x USB 3.0 Type A Debug USB OTG 2x CAN Display out

Dimensions	
<b>Height</b>	41mm min./ 56mm max. (1.6"/2.2")
<b>Width</b>	143mm (5.6")
<b>Depth</b>	152 mm (5.9")

Mirsee Robotics Inc.  
96 Grand Avenue South  
Cambridge, Ontario N1S 2L9



Web: <https://mirsee.com>  
Email: [info@mirsee.com](mailto:info@mirsee.com)  
Tel: +1-855-472-3309