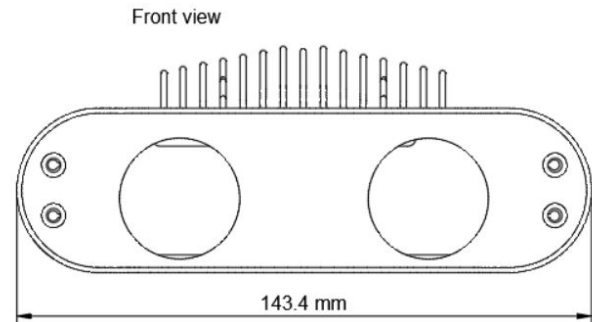
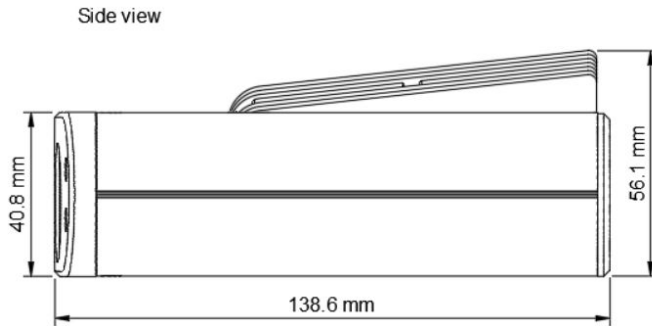


HADRON™

EMBEDDED VISION PLATFORM

PRODUCT BRIEF - JAN 2019



Technical Specifications

Compute	
CPU	2x HMP Denver cores (2MB L2 cache) 4x ARM A57 cores (2MB L2 cache)
GPU	NVIDIA Pascal™ Architecture 256 CUDA cores
Video	4K x 2K 60Hz Encode (HEVC) 4K x 2K 60Hz Decode (12-bit support)
Memory	8 GB LPDDR4 128-bit, 59.7 GB/s
Storage	160 GB (32 GB eMMC + 128 GB flash) 430 GB (32 GB eMMC + 400 GB flash)

Connectivity	
Networking	Gigabit Ethernet WiFi dual-band (802.11ac) Bluetooth
I/O	2x USB 3.0 Type A Debug USB OTG 2x CAN/DeviceNet Display out

Power	
Input	12V DC 1.3A peak
TDP	15 watts peak

Vision	
Sensor	2x Sony IMX377 4K CMOS
Camera Mount Support	Universal 1/4" UNC thread Arca-swiss Quick Release
Lens Mount Support	CS (stock) D14 M12
Upgrades	Thermal camera (FLIR LWIR) Varioptics Liquid Lens Hardware band pass/cut filters

Dimensions	
Height	41mm min./ 56mm max. (1.6"/2.2")
Width	143 mm (5.6")
Depth	139mm min./ 152 mm max. (5.5"/5.9")*

* varies depending on lens configuration

Mirsee Robotics Inc.
96 Grand Avenue South
Cambridge, Ontario N1S 2L9



Web: <https://mirsee.com>
Email: info@mirsee.com
Tel: +1-855-472-3309